



MYEVO

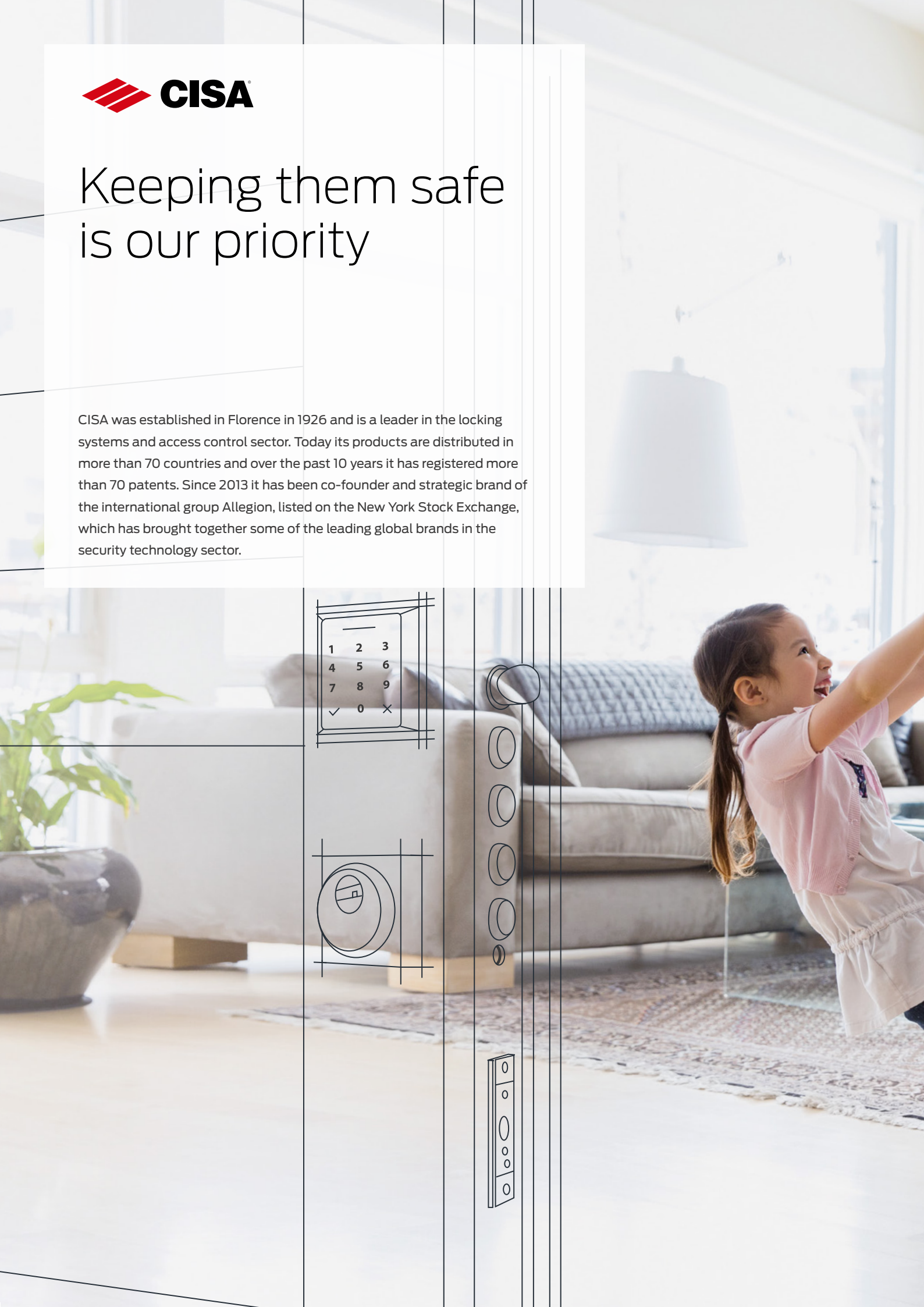
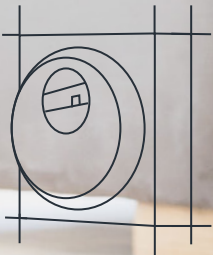
Solutions
for armoured doors





Keeping them safe is our priority

CISA was established in Florence in 1926 and is a leader in the locking systems and access control sector. Today its products are distributed in more than 70 countries and over the past 10 years it has registered more than 70 patents. Since 2013 it has been co-founder and strategic brand of the international group Allegion, listed on the New York Stock Exchange, which has brought together some of the leading global brands in the security technology sector.





We believe the best solutions take shape by listening carefully to our clients and building relationships with them which enable us to make their environments a safer place, implementing new, original, practical and flexible solutions for innovative security systems.

Through our security managers, we identify the specific needs of every context and propose a package of products, working hand-in-hand with you to design and create the best security system possible.

CISA is the Solution.

Education



Residential



Commercial



Healthcare



Hospitality





We examine needs
and design
solutions





Residential

Protecting the place we live in is of prime importance because of the deep emotional and sentimental connection we have with it. We protect both new or existing properties with anti-intrusion locks, keys and latest generation access control systems, working with you to build personalised, flexible solutions.

Commercial

We develop reliable access control solutions for commercial and professional environments. We offer customised security systems for each of these environments and for the people who work there, designed to prevent forced entry while still allowing personalised access management.

MyEVO

SMART AUTOMATIC CLOSING

Shutting the door automatically activates the system and engages all the deadbolts until it is completely locked.

ACCESS CONTROL

Systems which allow flexible access management, using dedicated personalised codes which can easily be activated and deactivated, so access is granted to different people without the need for keys.

3 DIFFERENT MODES FOR VERSATILE USE

- **AUTOMATIC**
Just push the door to and it shuts securely: the deadbolts engage on their own.
- **SEMI-AUTOMATIC**
When the door is shut, the deadbolts do not engage so you can open it with the handle.
- **HOLD OPEN**
The door is always open: the latchbolt and deadbolt never engage.



USER-FRIENDLY KEYPAD

Backlit membrane keypads are ergonomic and easy to use. The outside keypad works with numbers while the one inside has a button.

ACOUSTIC AND LIGHT ALARMS

Acoustic and light alarms on the external keypad and the internal button indicate whether the door is shut properly or if there is an anomaly.

SILENT OPERATION

The operating mechanism has been designed to keep noise to an absolute minimum.

CERTIFIED LOCK

Security and operation have been tested in accordance with European standards EN 12209:03 and EN 4846:10.

ACCESS WITH TRADITIONAL KEYS

The lock can be opened mechanically using a traditional key.

CISA CERTIFIED CYLINDERS

We recommend combining the lock with a CISA certified cylinder with protected key for greater security.



MyEVO

1. LOCK

The lock is available in the mortice and rim versions with a non-handed latchbolt.



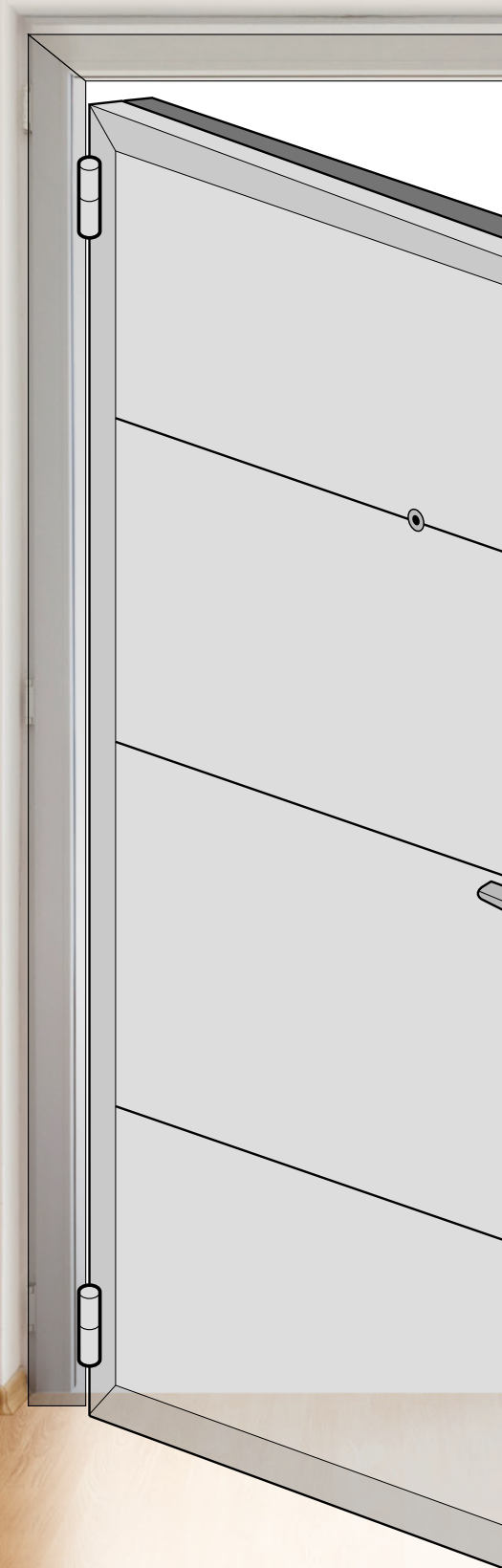
2. "DOOR STATUS DEVICE"

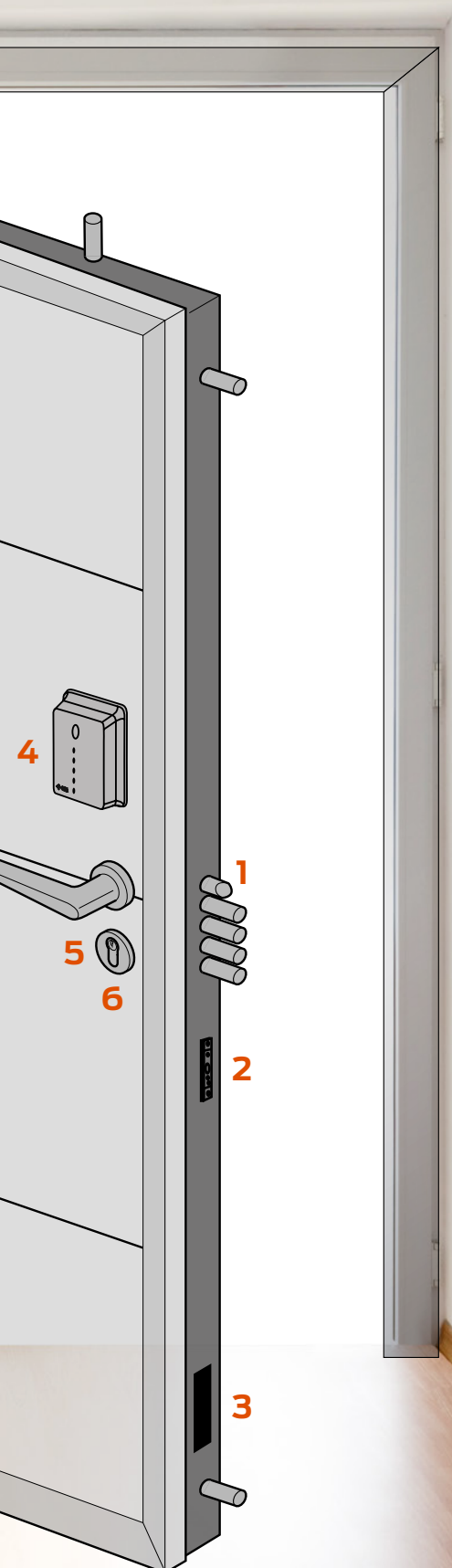
Combined with the lock which detects door status (if it is open or closed).



3. BATTERY COMPARTMENT

The lock can be battery powered, using disposable or rechargeable batteries housed in a compact box, an alternative to powering it through the electrical system.





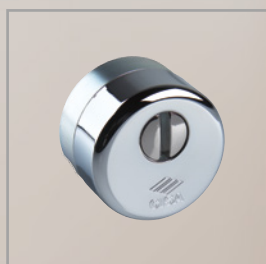
4. KEYPAD AND BUTTON

The button on the inside of the door and the external keypad allow you to open the door without a key and to configure lock operation. The numerical codes can be personalised.



5. CYLINDER

Choosing a high security cylinder with a protected key is essential if you are to increase the security of the lock: it guarantees maximum resistance to attacks and protects against unauthorised key duplication.



6. PROTECTIVE ROSE

Clearly visible from the outside, protective roses act as an effective deterrent against intruders and create a real shield around the cylinder, representing an extra barrier against forced entry

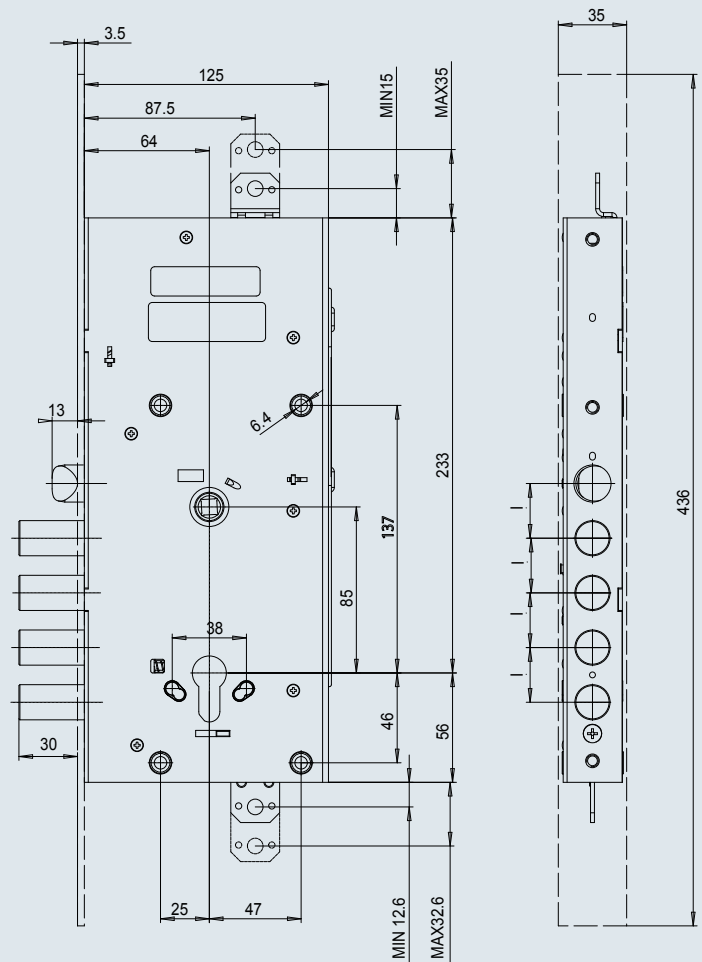


MYEVO

- JUST ONE SIMPLE ACTION AND YOU ARE SAFE
- QUICK AND EASY TO OPEN
- PERSONALISED ACCESS WITHOUT KEYS

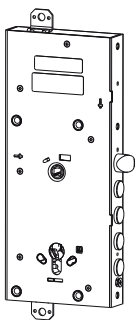


Motorised lock



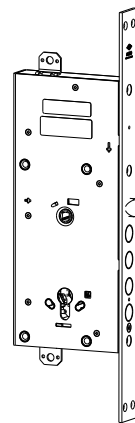
SECURITY AND PERFORMANCE

- Grade x certified high-performance motor (200,000 cycles with lateral thrust of 120N on the latchbolt).
- Anti-intrusion security certified grade 6.
- Can be configured to operate in automatic, semi-automatic or hold open mode.
- Silent mechanics.
- Configuration chosen simply on keypad or by button.
- Mechanical opening guaranteed using a traditional key.
- Available in rim and mortice versions.



- Rim mounted motorised lock
- Latchbolt and deadbolt
- "Door status" contacts strip supplied

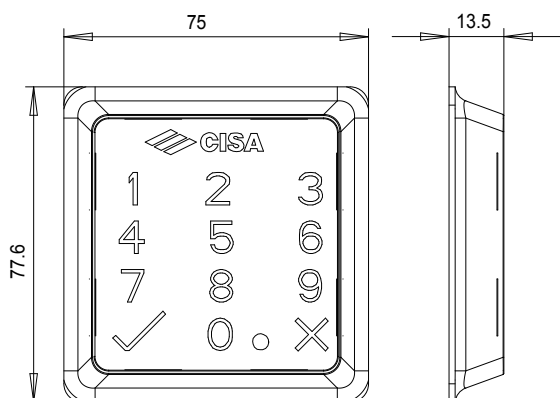
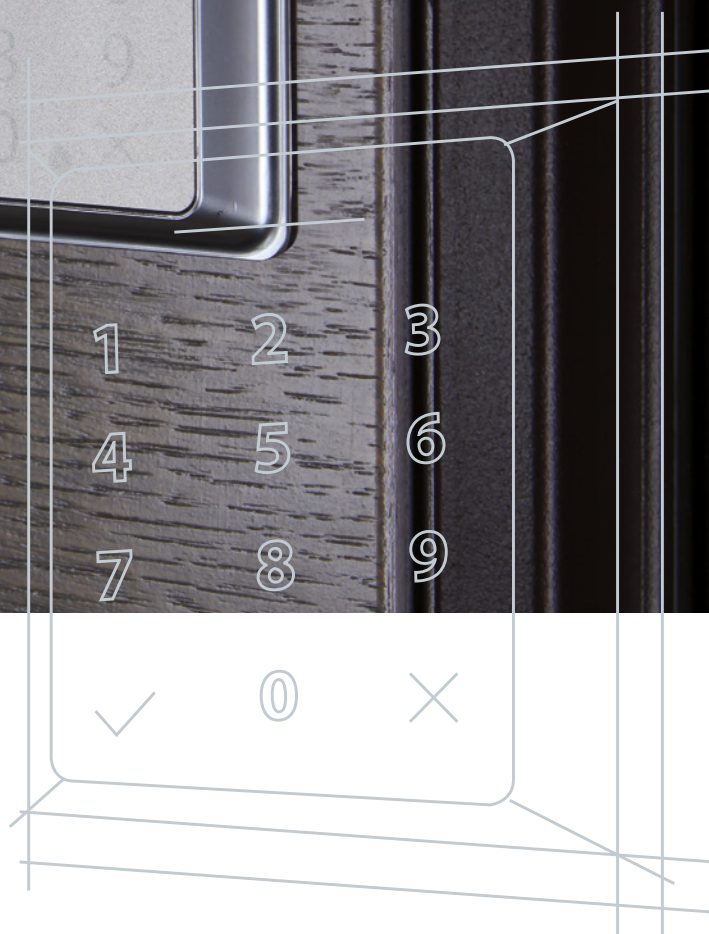
ITEM	no. deadbolts	protrusion	centre distance (l)	throws	centre distance	backset	packaging
1 E6516 28 0	4	3.5	28	2	85	64	1
1 E6516 38 0	3	3.5	38	2	85	64	1



- Mortice motorised lock
- Latchbolt and deadbolt
- "Door status" contacts strip supplied

ITEM	no. deadbolts	protrusion	centre distance (l)	throws	centre distance	backset	packaging
1 E6536 28 0	4	-	28	2	85	67	1
1 E6536 38 0	3	-	38	2	85	67	1

External keypad

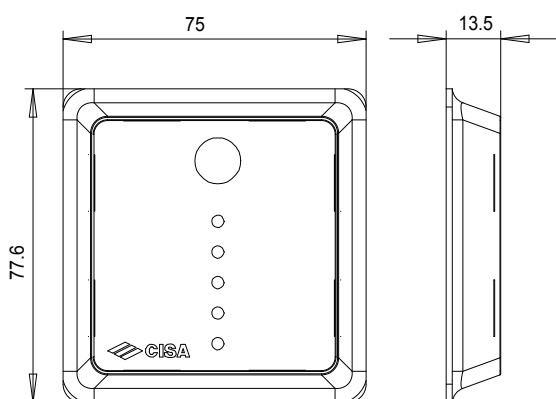


ACCESS SELECTION AND VERSATILITY

- Quick and easy to install.
- Can be positioned where you want.
- Resistive backlit membrane keypad.
- Ergonomic and user-friendly.
- Used to configure operating modes: automatic, semi-automatic or hold open.
- Sound and light signal anomaly.
- Secure encoding system.
- Protective rose in different finishes.

ITEM	FINISHES
1 06525 70 0 44	Shiny black
1 06525 70 0 B1	Satin-finished chrome
1 06525 70 0 00	Shiny gold

Internal button

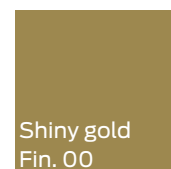
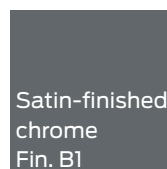
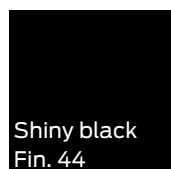


EASY TO OPEN AND CONFIGURE

- Quick and easy to install.
- Can be positioned where you want.
- Ergonomic and user-friendly.
- Used to configure operating modes: automatic, semi-automatic or hold open.
- Light signals anomaly.
- Protective rose in different finishes.

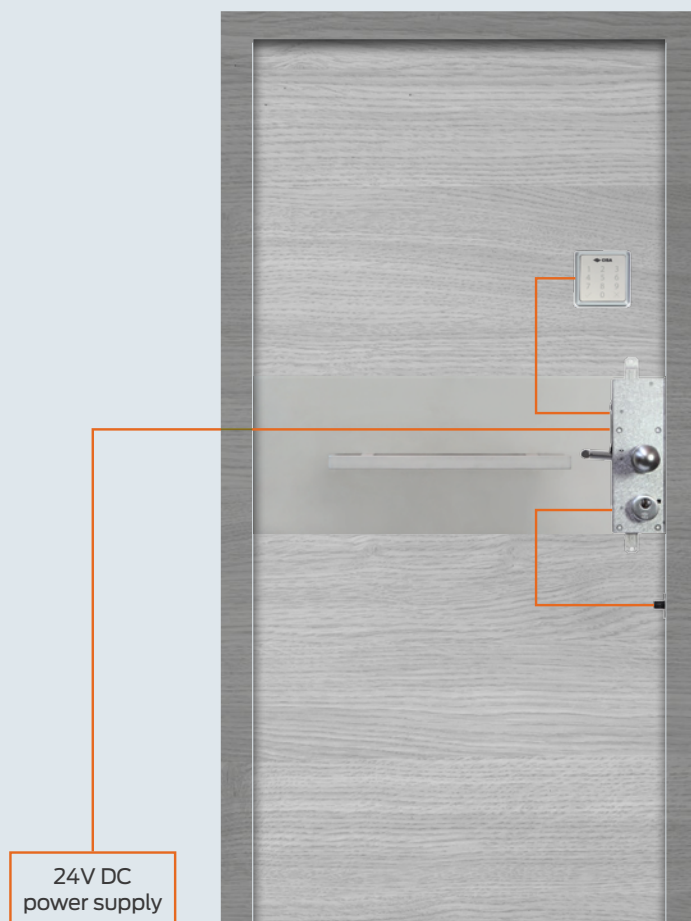
PROTECTIVE ROSES FINISHES ON KEYPAD AND BUTTON

ITEM	FINISHES
1 06525 50 0 44	Shiny black
1 06525 50 0 B1	Satin-finished chrome
1 06525 50 0 00	Shiny gold



THE MOTORISED LOCK CAN BE

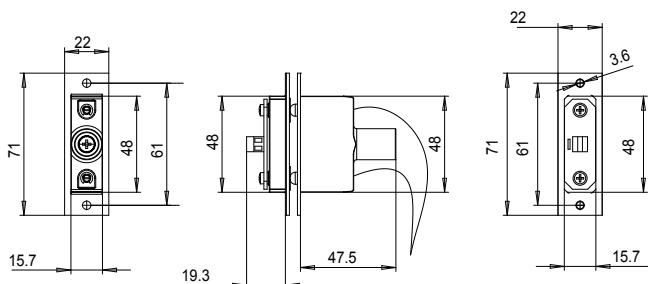
Configurations



Powered by electrical system

“DOOR STATUS DEVICE” - FUNCTIONALITY AND DESIGN

- CISA patented solution.
- Self-regulating distance between contacts.
- Can be positioned where you want.
- Replaces the conventional cable cover if installed with rechargeable batteries.
- Contacts do not catch when the door is closed.
- Clean, crisp installation with no protrusions.



ITEM

1 06510 50 0

Contacts strip for "Door Status device"

INSTALLED AND POWERED IN THREE DIFFERENT WAYS



Powered by disposable batteries:
12 x 1.5 V AA batteries

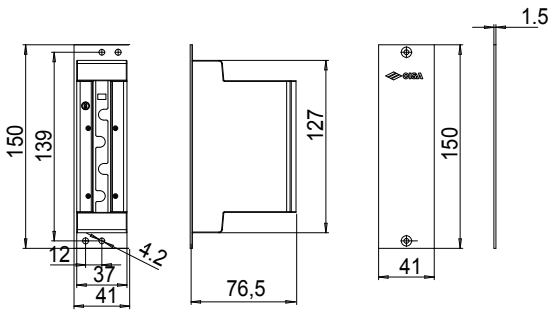


Powered by rechargeable batteries through
the "Door Status Device"

24V DC
power supply

BATTERY HOLDER - PRACTICAL TO USE

- Compact size.
- Can be positioned where you want.
- Easy to replace batteries.
- Uses off-the-shelf batteries.



ITEM	
1 07030 80 0	Battery holder group with cable (for 12 x 1.5V AA batteries, not included)

ACCESSORIES

ITEM	
1 07030 70 0	Power supply cable (when lock is powered by the mains)
1 07060 03 0	Power supply for motorised lock (24V, DC). When lock is powered by the mains or rechargeable batteries
1 07030 72 0	Cable to open door using remote control (e.g. intercom, button...)

About Allegion™

Allegion (NYSE: ALLE) is a global pioneer in safety and security, with leading brands like CISA®, Interflex®, LCN®, Schlage®, SimonsVoss® and Von Duprin®. Focusing on security around the door and adjacent areas, Allegion produces a range of solutions for homes, businesses, schools and other institutions. Allegion is a \$2 billion company, with products sold in almost 130 countries.

For more visit allegion.com

